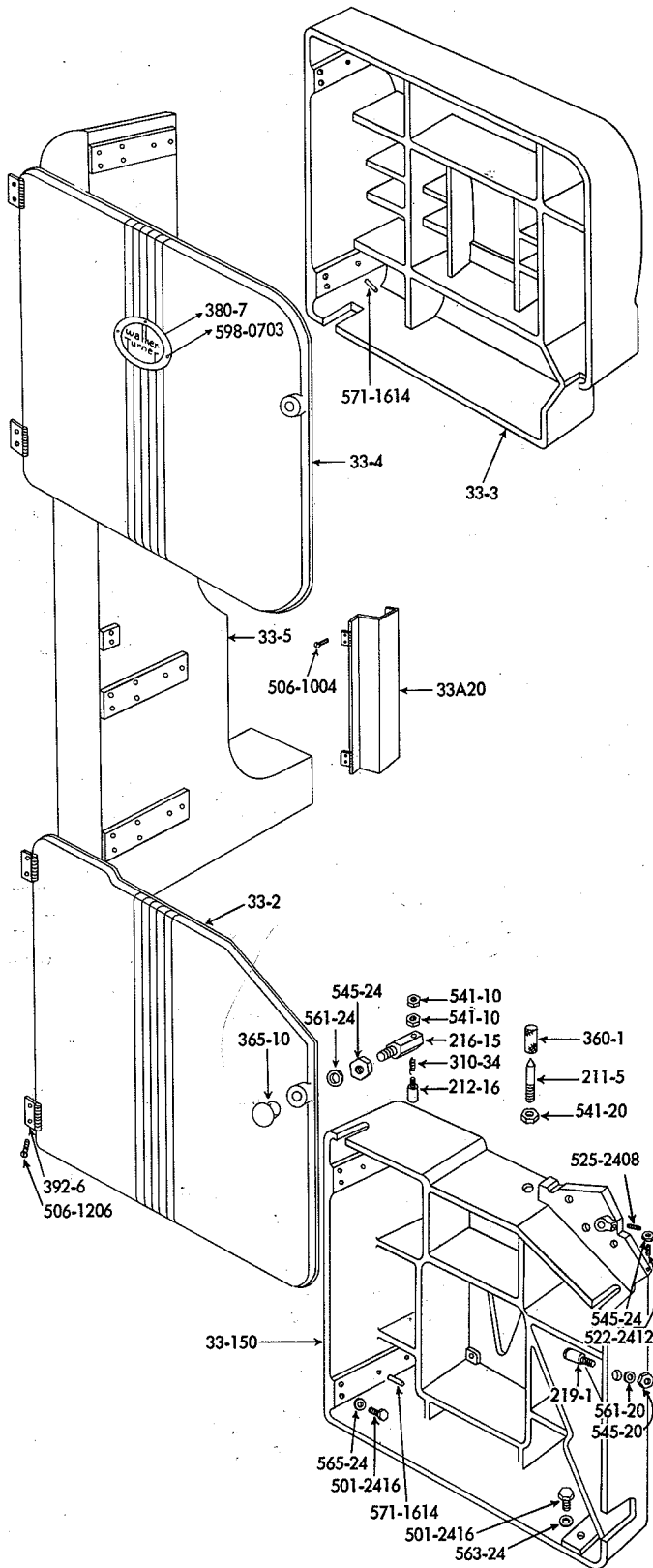


## Parts Listing

# NO. 3331 16 INCH METAL CUTTING BAND SAW



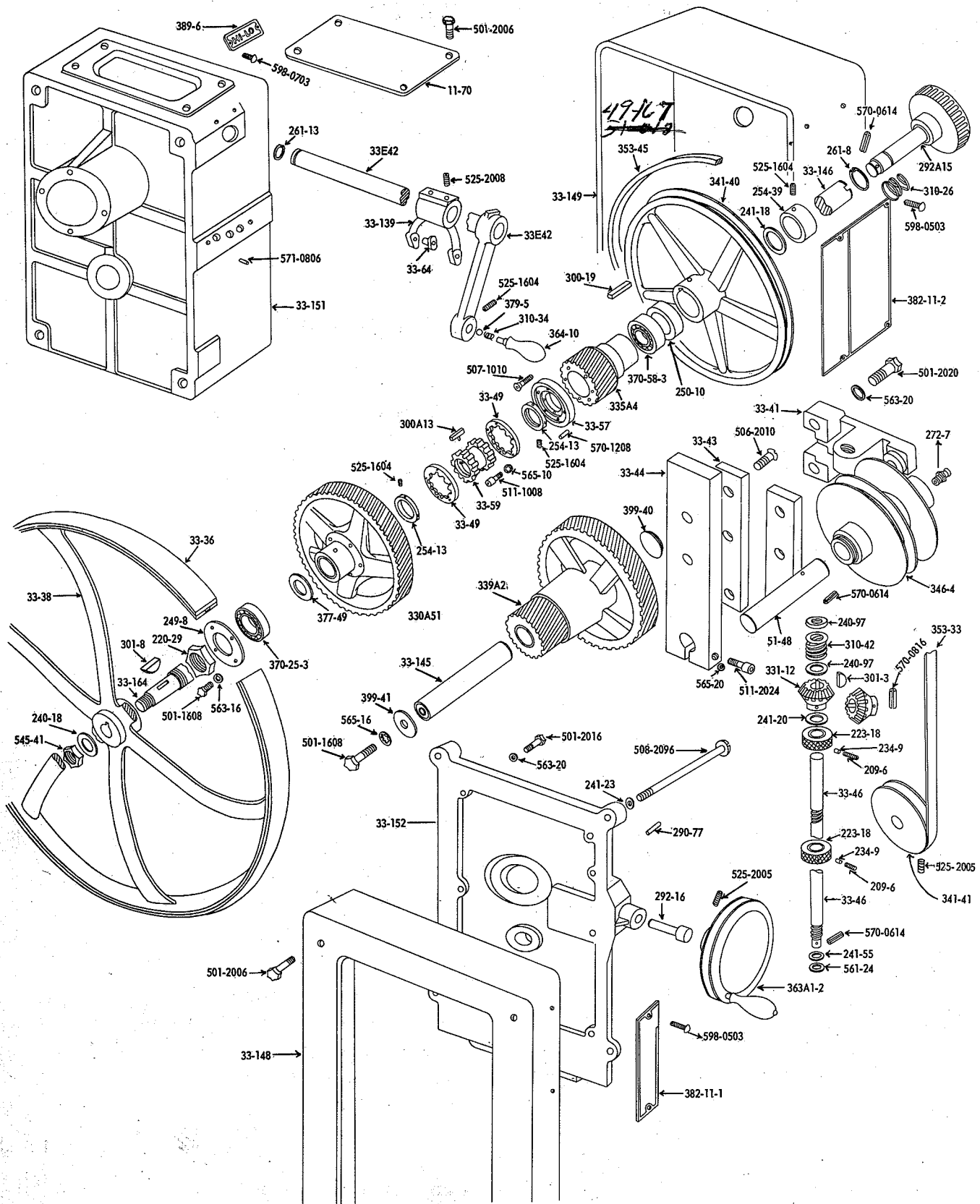
Main Castings

PLEASE NOTE: There will be a minimum invoice charge of \$2.00 on all orders under that amount.

Parenthesis encloses number of parts required when more than one.

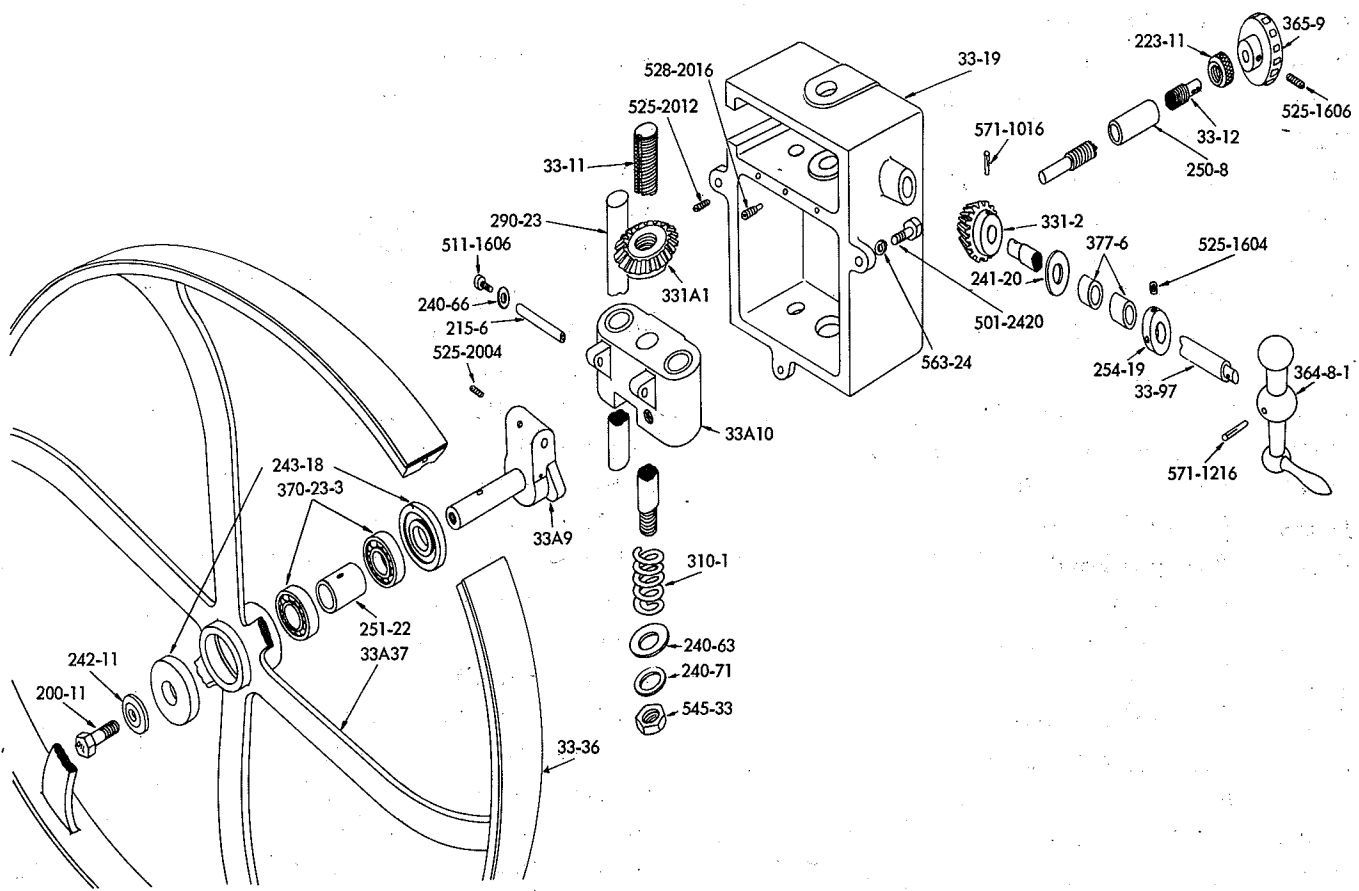
This list pertains to machines having Serial No. 100 and up.

Part No.	Description	Price
33-2	Bottom wheel cover	
33-3	Top wheel housing	
33-4	Top wheel housing cover	
33-5	Column	
33A20	Guard - saw blade	
33-150	Bottom wheel housing	
211-5	Table stop stud	
212-16	Insert pin clip (2)	
216-15	Stud (cover lock) (2)	
219-1	Stud (housing lock) (2)	
310-34	Insert pin spring (2)	
360-1	Table stop	
365-10	Hand knob (2)	
380-7	W-T name plate	
392-6	Hinge (4)	
501-2416	Hex head screw 3/8-16x1 (13)	
506-1004	Slotted flat head screw 8-32x1/4 (4)	
506-1206	Slotted flat head screw 10-24x3/8 (16)	
522-2416	Slotted set screw 3/8-16 x 3/4	
525-2408	Slotted set screw 3/8-16x1/2	
541-10	Hex nut 8 - 32 (4)	
541-20	Hex nut 5/16 - 18	
545-20	Hex jam nut 5/16 - 18 (2)	
545-24	Hex jam nut 3/8 - 16 (3)	
561-20	SAE flat washer 1/4 (2)	
561-24	SAE flat washer 3/8 (2)	
563-24	Med. lock washer 3/8	
565-24	Int. shakeproof lock washer 3/8 (12)	
571-1614	No. 1 groove pin 1/4x7/8 (4)	
598-0703	Drive screw No. 4 x 3/16 (3)	



**Gear Unit and Variable Speed Drive**

Part No.	Description	Price	Part No.	Description	Price
11-70	Cover plate		330A51	Gear - reduction drive	
33-36	Tire - 16" wheel		331-12	Mitre gear (2)	
33-38	Wheel (bottom)		335A4	Drive pinion	
33-41	Bracket - slide adjusting		339A2	Internal cluster gear	
33E42	Shifter shaft		341-40	10" pulley	
33-43	Slide retaining strip (2)		341-41	3" pulley	
33-44	Slide strip		346-4	Pulley - variable speed	
33-46	Shaft - slide bracket		353-33	Cog belt <i>352-67</i>	
33-49	Spline - female (2)		353-45	Cog belt <del>51-42</del> <i>49-167</i>	
33-57	Holder - spline ring		363A1-2	Hand wheel assembly	
33-59	Spline - male		364-10	Crank handle	
33-64	Shoe - clutch fork (2)		370-25-3	Ball bearing	
33-139	Fork - clutch		370-58-3	Ball bearing	
33-145	Internal gear shaft		379-5	Steel ball	
33-148	Front belt guard		382-11-1	Speed name plate	
33-149	Rear belt guard		382-11-2	Speed name plate	
33-151	Gear housing		383-5	Grease label	
33-152	Cover - gear housing		389-6	Hi-lo plate	
33-164	Shaft - drive		399-40	Expansion plug	
51-48	Shaft - idler pulley		399-41	Expansion washer	
209-6	Hollow lock Screw (2)		501-1608	Hex head screw 1/4 - 20 x 1/2 (5)	
220-29	Hex nut		501-2006	Hex head screw 5/16 - 18 x 3/8 (8)	
223-18	Knurled nut (2)		501-2016	Hex head screw 5/16 - 18 x 1 (6)	
234-9	Plug (2)		501-2020	Hex head screw 5/16 - 18 x 1 1/4 (2)	
240-18	Washer		506-2010	Slotted flat head screw 5/16-18x5/8 (6)	
240-97	Washer (2)		507-1010	Soc. flat head screw 8-32x5/8 (4)	
241-18	Washer (1)		508-2008	Round head screw 5/16 - 18 x 1/2 (4)	
241-20	Washer		508-2096	Round head screw 5/16 - 18 x 6 (2)	
241-23	Washer (2)		511-1008	Soc. head screw 8 - 32 x 1/2 (10)	
241-55	Washer		511-2024	Soc. head screw 5/16 - 18 x 1 1/2	
249-8	Flange, housing		525-1604	Soc. set screw 1/4 - 20 x 1/4 (4)	
250-10	Spacer		525-2005	Soc. set screw 5/16 - 18 x 5/16 (4)	
254-13	Stop collar		525-2008	Soc. set screw 5/16 - 18 x 1/2 (2)	
254-39	Stop collar		545-41	Hex jam nut 5/8 - 18	
261-8	Snap ring		561-24	SAE flat washer 3/8	
261-13	Snap ring		563-16	Medium lock washer 1/4 (4)	
272-7	Grease fitting		563-20	Medium lock washer 5/16 (6)	
290-77	Pin (2)		565-10	Int. shakeproof lock washer No. 8 (10)	
292A15	Pin - hand knob assembly		565-16	Int. shakeproof lock washer 1/4	
292-16	Shoulder pin		565-20	Int. shakeproof lock washer 5/16	
300-19	Key		570-0614	Roll pin 3/32 x 7/8 (3)	
301-3	No. 3 Woodruff key		570-0816	Roll pin 1/8 x 1	
301-8	No. 8 Woodruff key		570-1208	Roll pin 3/16 x 1/2 (2)	
300A13	Key & pin assembly		571-0806	No. 1 Groove pin 1/8 x 3/8 (2)	
310-26	One coil spring		598-0503	Rd. head drive rivet No. 2 x 3/16 (6)	
310-34	Insert pin spring		598-0703	Rd. head drive rivet No. 4 x 3/16 (2)	
310-42	Spring		377-49	Thrust washer	



Upper Wheel Unit

Part No.	Description	Price	Part No.	Description	Price
33A9	Idler shaft bracket		290-23	Pin (wheel tension guide) (2)	
33A10	Bracket, top wheel adjusting		310-1	Tension adjusting spring	
33-11	Screw (wheel tension adjusting)		331A1	Gear - wheel position	
33-12	Screw (alignment)		331-2	Gear - bevel	
33-19	Housing - adjusting wheel guide		364-8-1	Crank	
33-36	Tire only		365-9	Hand knob	
33A37	Wheel and tire		370-23-3	Ball bearing (2)	
33-97	Raise & lower crank shaft		377-6	Sleeve bearing (2)	
200-11	Top wheel oil screw		501-2420	Hex head screw 3/8 - 16 x 3/4 (3)	
215-6	Pin (idler shaft bracket)		511-1606	Soc. head screw 1/4 - 20 x 3/8 (2)	
223-11	Lock nut		525-1604	Soc. set screw 1/4 - 20 x 1/4 (2)	
240-63	Washer		525-1606	Soc. set screw 1/4 - 20 x 3/8	
240-66	Washer (2)		525-2004	Soc. set screw 5/16 - 18 x 1/4	
240-71	Washer		525-2012	Soc. set screw 5/16 - 18 x 3/4 (2)	
241-20	Washer		528-2016	Soc. set screw-Full dog point 5/16 - 18 x 1	
242-11	Top wheel washer		545-33	Hex jam nut 1/2 - 20	
243-18	Drive shaft collar (2)		563-24	Medium lock washer 3/8 (3)	
250-8	Alignment screw spacer		571-1016	No. 1 Groove pin 5/32 x 7/8	
251-22	Bearing space collar		571-1216	No. 1 Groove pin 3/16 x 1	
254-19	Collar				

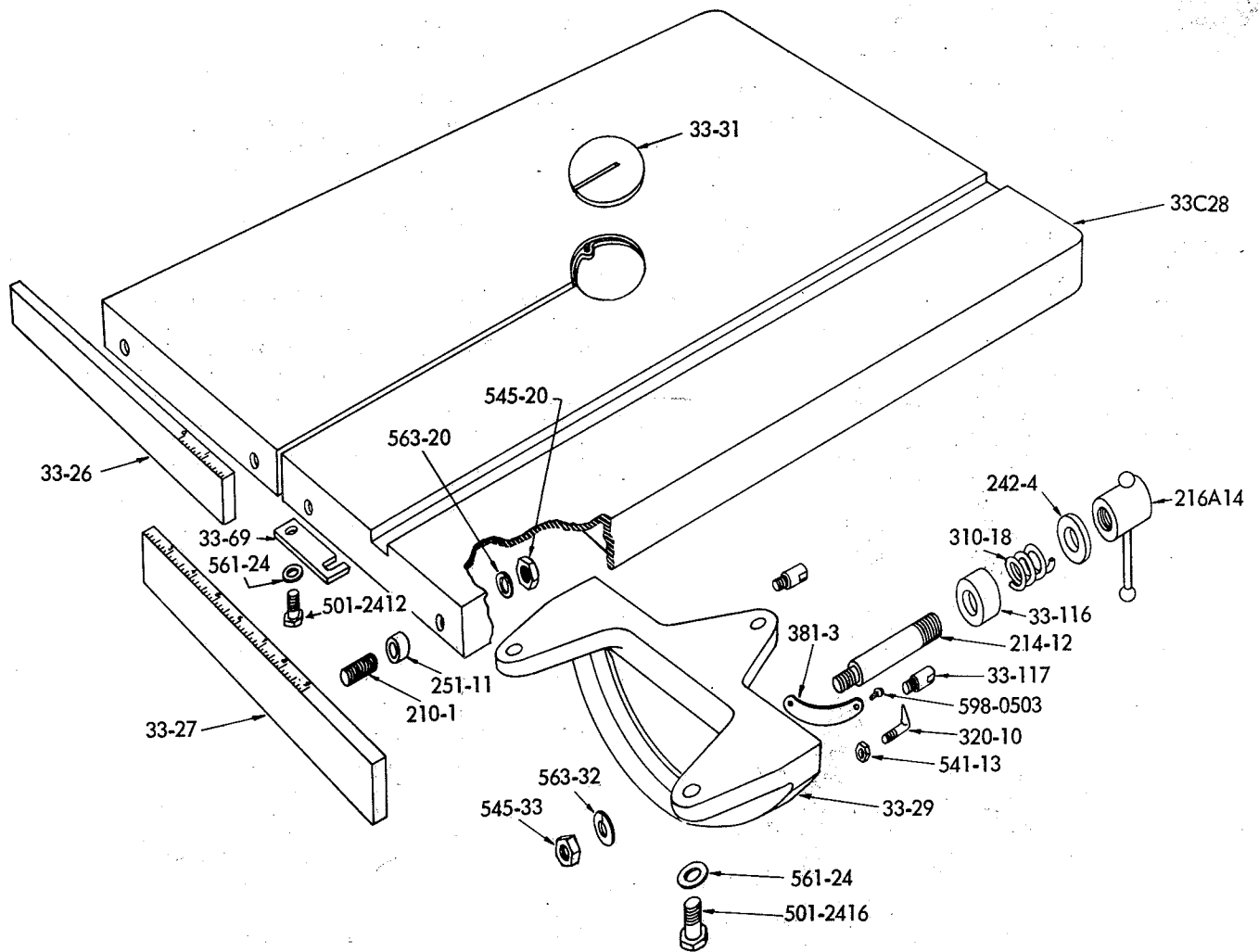
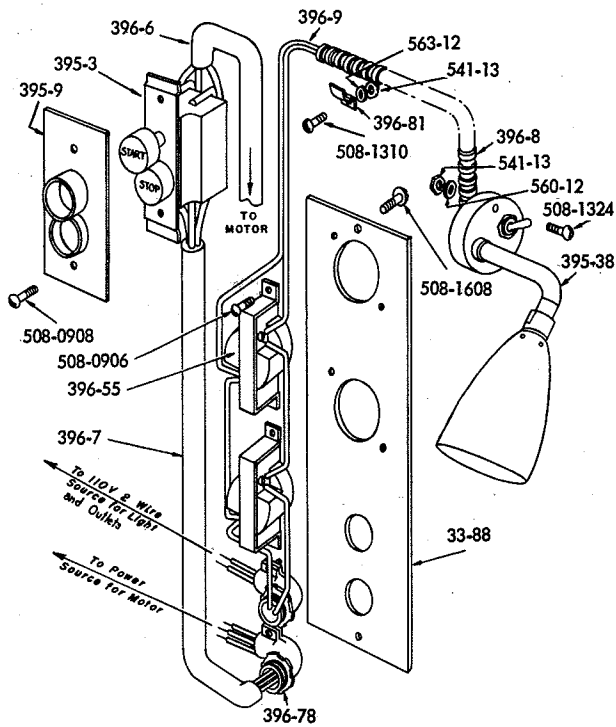


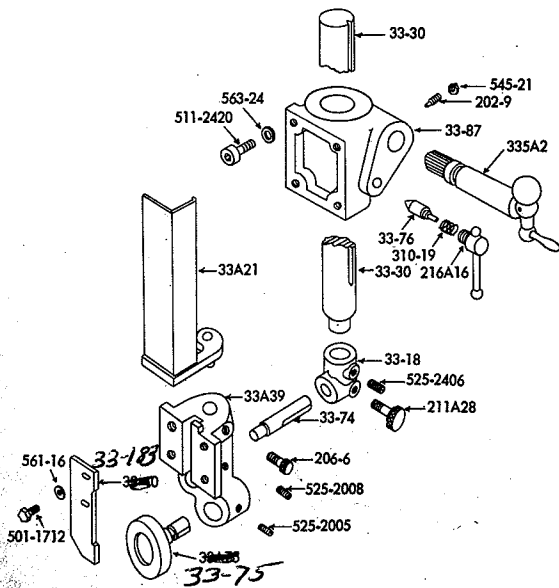
Table and Bracket

Part No.	Description	Price	Part No.	Description	Price
33-26	Bar - rip fence guide		310-18	Spring (lock bolt)	
33-27	Bar - rip fence guide		320-10	Pointer	
33C28	Table		381-3	Protractor	
33-29	Table tilting bracket		501-2412	Hex head screw 3/8-16 x 3/4 (2)	
33-31	Insert (table)		501-2416	Hex head screw 3/8-16 x 1 (3)	
33-69	Clip - table		541-13	Hex nut 10-32	
33-116	Cup (lock bolt spring)		545-20	Hex jam nut 5/16 - 18 (4)	
33-117	Pin (tilt table bracket guide) (2)		545-33	Hex jam nut 1/2 - 20	
210-1	Support bar stud (4)		561-24	SAE flat washer 3/8 (5)	
214-12	Stud (lock bolt)		563-20	Medium lock washer 5/16 (4)	
216A14	Head (lock bolt handle)		563-32	Medium lock washer 1/2	
242-4	Washer (lock bolt head)		598-0503	Drive screw No. 2 x 3/16 (2)	
251-11	Spacer - carr.supp. bar (4)				



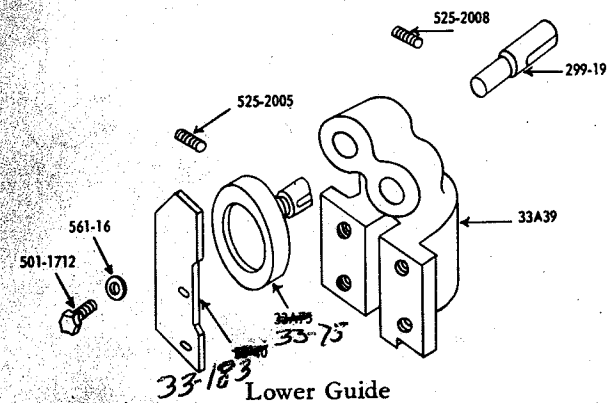
Electrical System

Part No.	Description	Price
33-88	Plate - plug in	
395-3	Switch - push button	
395-9	Switch - push button cover	
395-38	Side lamp	
396-6	Cable, switch and motor	
396-7	Cable, connecting wire (2)	
396-8	Sq. lock tubing	
396-9	Rip cord	
396-55	Receptacle (2)	
396-78	BX Conn. 90° (2)	
396-81	Cable clip (4)	
508-0906	Rd. head screw 6-32 x 3/8 (4)	
508-0908	Rd. head screw 6-32 x 1/2 (2)	
508-1310	Rd. head screw 10-32 x 5/8 (4)	
508-1324	Rd. head screw 10-32 x 1 1/2 (2)	
508-1608	Rd. head screw 1/4-20 x 1/2 (2)	
541-13	Hex nut 10 - 32 (6)	
560-12	Std. flat washer No. 10 (2)	
563-12	Med. lock washer No. 10 (4)	



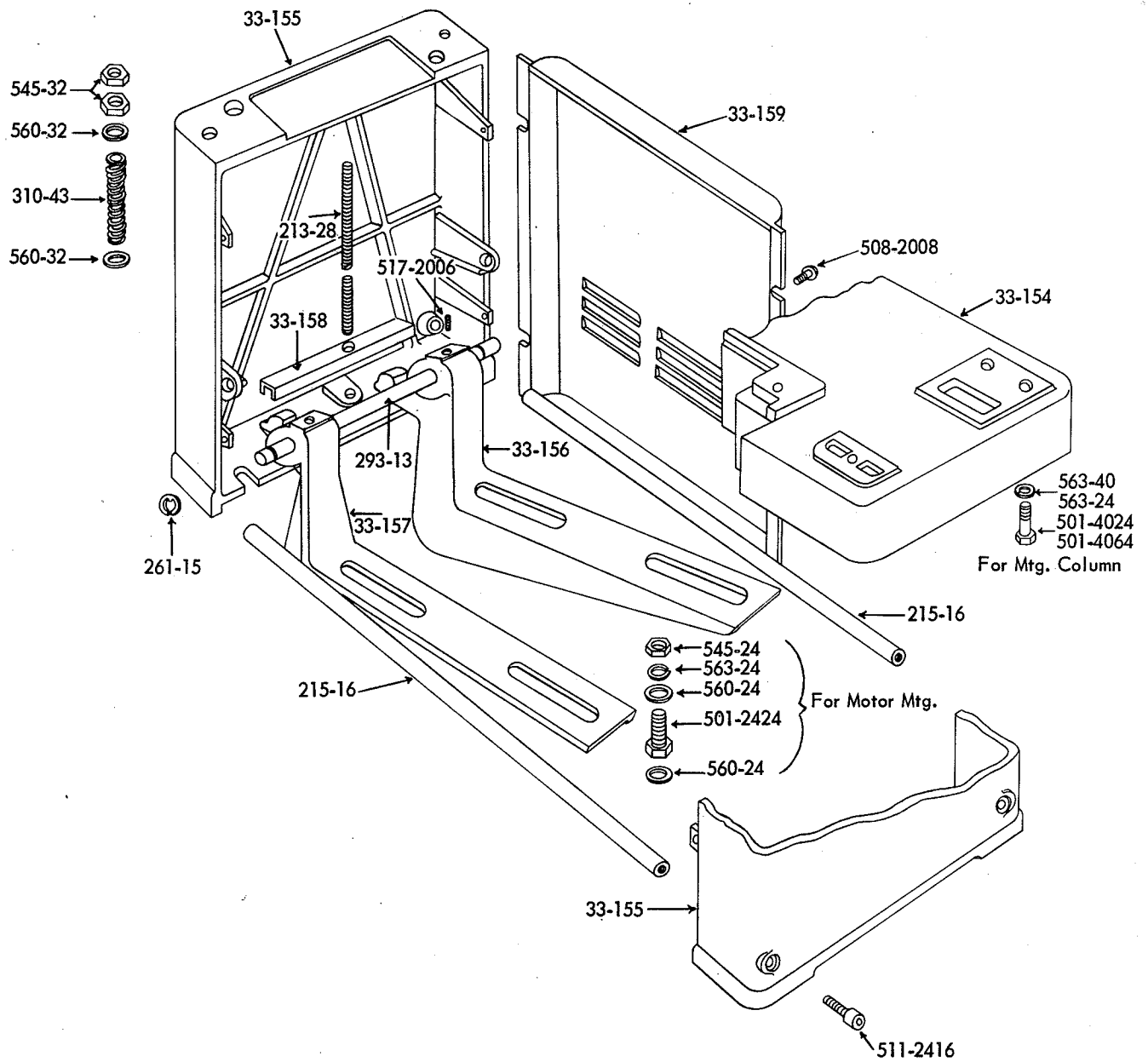
Upper Guide

Part No.	Description	Price
33-18	Saw guide elbow	
33A21	Saw blade guard	
33-30	Rack (guide adjusting)	
33A39	Saw guide bracket	
33-40/83	Saw blade guide (6)	
33-74	Upper guide support shaft	
33-75	Guide roller and pin assembly	
33-76	Plunger (guide rack lock)	
33-87	Bracket (adj. saw guide)	
202-9	Set screw half dog point	
206-6	Guard lock screw	
211A28	Guide bracket lock stud assembly	
216A16	Screw, guide rack lock	
310-19	Lock plunger spring	
335A2	Shaft pinion	
501-1712	Hex head screw 1/4-28 x 3/4 (4)	
511-2420	Soc. head screw 3/8-16 x 1 1/4 (4)	
525-2005	Soc. set screw 5/16-18 x 5/16	
525-2008	Soc. set screw 5/16-18 x 1/2	
525-2406	Soc. set screw 3/8-16 x 3/8	
545-21	Hex jam nut 5/16 - 24	
561-16	SAE flat washer 1/4 (4)	
563-24	Medium lock washer 3/8 (4)	



Lower Guide

Part No.	Description	Price
33A39	Saw guide bracket	
33-40/83	Saw blade guide (6)	
33-75	Guide roller & pin assembly	
299-19	Pin - lower saw guide	
501-1712	Hex head screw 1/4-28 x 3/4 (4)	
561-16	SAE flat washer 1/4 (4)	
525-2005	Soc. set screw 5/16-18 x 5/16	
525-2008	Soc. set screw 5/16-18 x 1/2	



**Base**

Part No.	Description	Price	Part No.	Description	Price
33-154	Base top		501-2424	Hex head screw 3/8-16 x 1 1/2 (4)	
33-155	Base side (2)		501-4024	Hex head screw 5/8-11 x 1 1/2	
33-156	Motor rail - front		501-4064	Hex head screw 5/8-11 x 4 (2)	
33-157	Motor rail - rear		508-2008	Rd. head screw 5/16 x 18 x 1/2 (4)	
33-158	Channel		511-2416	Soc. head screw 3/8-16 x 1 (4)	
33-159	Base front		517-2006	Soc. set screw 5/16-18 x 3/8 (2)	
213-28	Stud		545-24	Hex jam nut 3/8-16 (4) Knurled point	
215-16	Stud (2)		545-32	Hex jam nut 1/2-13 (2)	
261-15	Snap ring (2)		560-32	Std. flat washer 1/2 (2)	
293-13	Pin		563-24	Med. lock washer 3/8 (4)	
310-43	Spring		563-40	Med. lock washer 5/8 (3)	

